

# ROBERTS

## Enjoy Listening

### *Classic 997*

**3 Band Mains Battery Portable Radio**



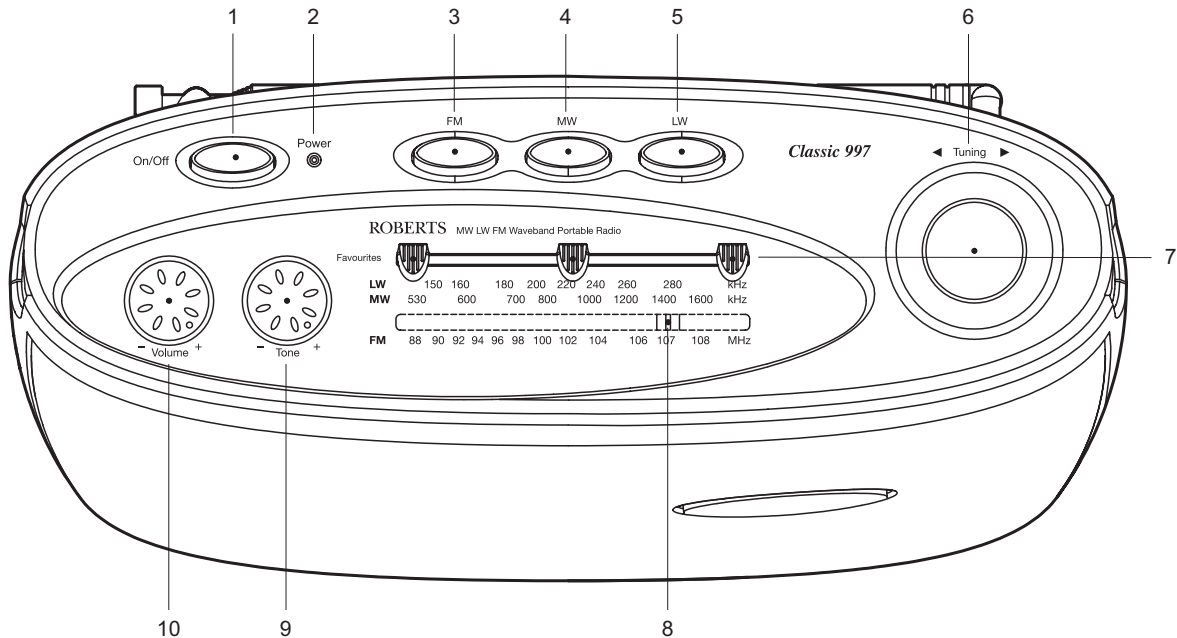
Please read this manual before use

## Contents

<i>Contents</i> .....	1
<i>Controls</i> .....	2-3
<i>Battery operation</i> .....	4
<i>Mains operation</i> .....	5
<i>Operating your radio - FM</i> .....	6
<i>Operating your radio - Medium and Long wave</i> .....	7
<i>Favourite station markers</i> .....	8
<i>Headphone socket</i> .....	9
<i>General</i> .....	10
<i>Specifications</i> .....	11
<i>Circuit features</i> .....	11
<i>Mains supply</i> .....	12
<i>Notes</i> .....	13
<i>Guarantee</i> .....	14

## Controls

(Top)

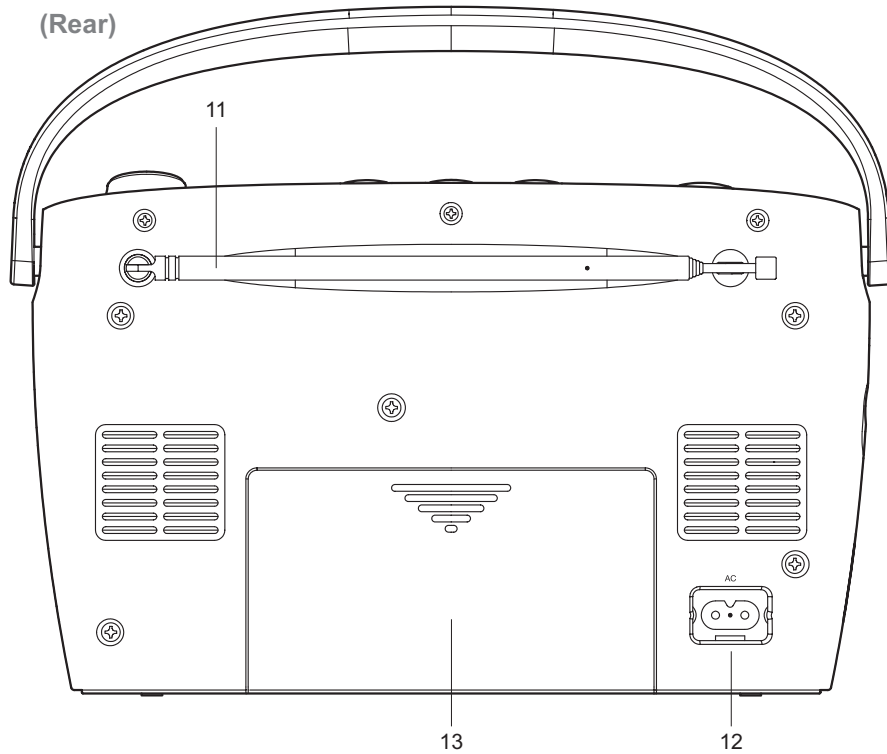


1. On/Off button
2. Power On indicator
3. FM waveband button
4. MW waveband button
5. LW waveband button

6. Tuning control
7. Favourite station indicators
8. Dial scale pointer
9. Tone control
10. Volume control

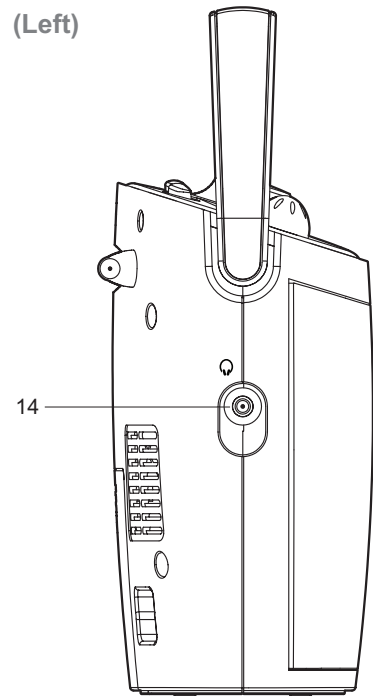
## Controls

(Rear)



- 11. Telescopic aerial
- 12. Mains input socket
- 13. Battery compartment

(Left)



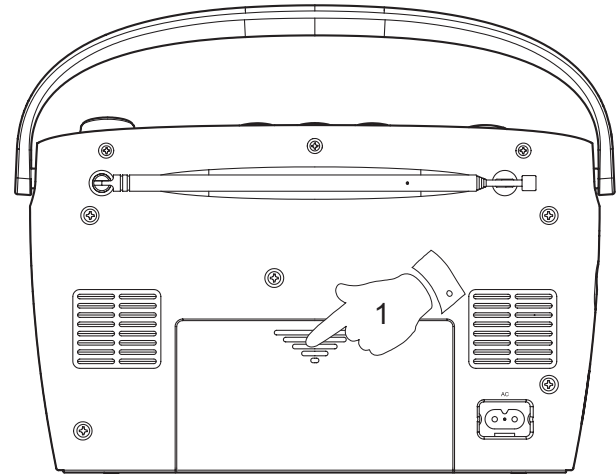
- 14. Headphone socket

## Battery operation

1. Remove the **battery cover** on the back of the unit by sliding the cover in the direction of the arrow.
2. Insert four LR14 (C size) batteries into the spaces in the compartment. Take care to ensure all batteries are inserted with the correct polarity as shown next to the battery compartment. Replace the battery cover.
3. Reduced power, distortion and a 'stuttering' sound are all signs that the batteries may need replacing.
4. If the radio is not to be used for any extended period of time it is recommended that the batteries are removed from the radio.

We would recommend for economy that the Classic 997 is used on the mains whenever possible with battery operation for occasional or standby use only.

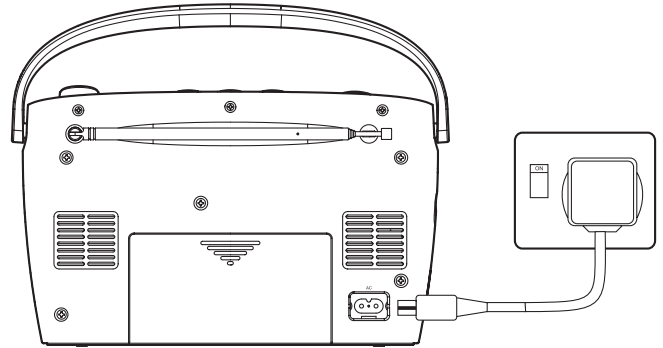
**IMPORTANT:** The batteries should not be exposed to excessive heat such as sunshine, fire or the like. After use, disposable batteries should if possible be taken to a suitable recycling centre. On no account should batteries be disposed of by incineration.



## Mains operation

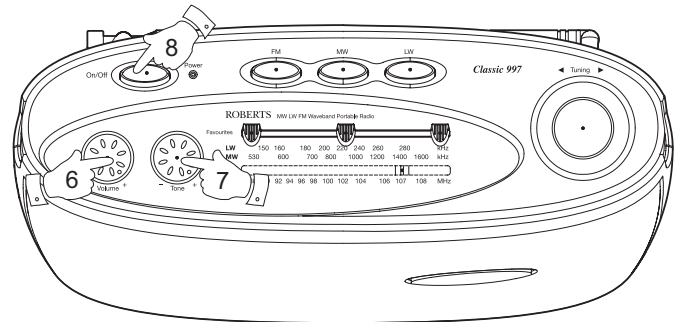
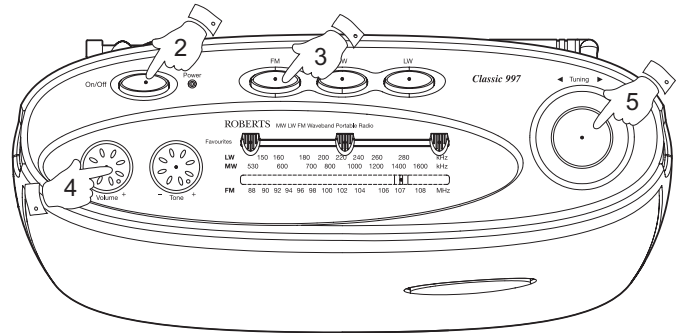
1. Place your radio on a flat surface.
2. Plug the mains lead into the **mains socket** located on the rear of your radio ensuring that the plug is pushed fully into the socket.
3. Plug the other end of the mains lead into the wall socket and switch on the wall socket. Whenever the mains is used the batteries are automatically disconnected.

**IMPORTANT:** The mains plug is used as the means of connecting the radio to the mains supply. The mains socket used for the radio must remain accessible during normal use. In order to disconnect the radio from the mains completely, the mains plug should be removed from the mains socket outlet completely.



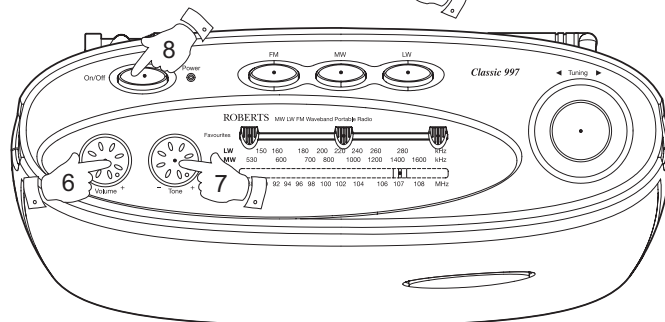
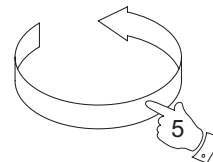
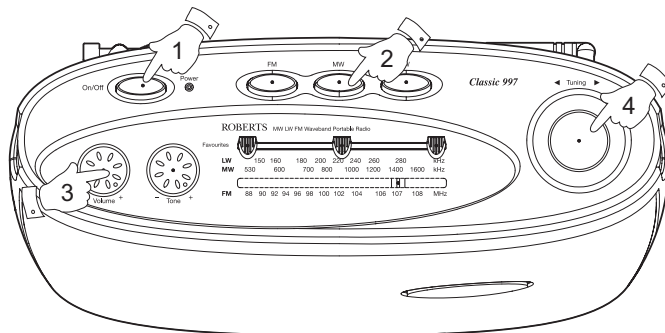
## Operating your radio - FM

1. For FM reception fully extend the **Telescopic aerial** and then angle and rotate for best reception.
2. Switch on your radio by pressing the **On/Off button**.
3. Press the **FM button** to select the FM waveband.
4. Adjust the **Volume control** until a hissing sound is heard.
5. Rotate the **Tuning control** to select the desired station. On FM the tuning scale is marked in Megahertz (MHz).
6. Adjust the **Volume control** to the required setting.
7. Adjust the **Tone control** to the required setting.
8. To switch off your radio press the **On/Off button**.



## Operating your radio - Medium and Long wave

1. Switch on your radio by pressing the **On/Off button**.
2. Press either the **MW** or **LW button** to select the required waveband.
3. Adjust the **Volume control** until a hissing sound is heard.
4. Rotate the **Tuning control** to select the desired station. On MW and LW the tuning scale is marked in kilohertz (kHz).
5. For MW or LW reception rotate your radio to the position giving best reception.
6. Adjust the **Volume control** to the required setting.
7. Adjust the **Tone control** to the required setting.
8. To switch off your radio press the **On/Off button**.

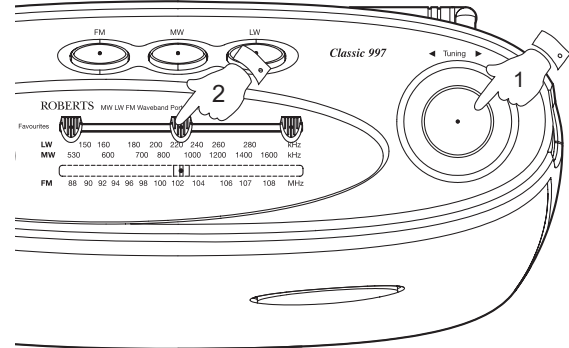


Note: The telescopic aerial is inoperative on MW and LW.

## Favourite station markers

Your radio is fitted with 3 **favourite station markers** which allow up to 3 stations to be quickly located.

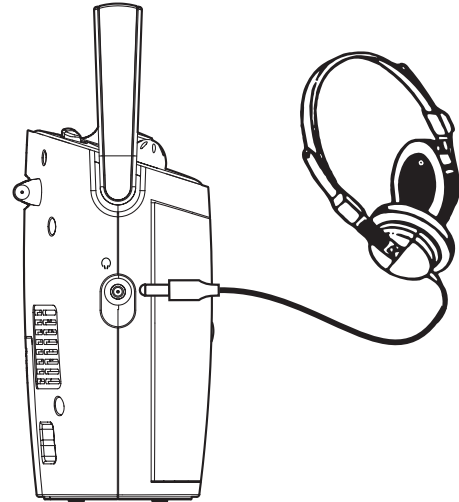
1. Tune into the required station.
2. Position one of the markers so that it appears on top of the dial pointer. Whenever you wish to return to that station simply line up the dial pointer with the corresponding marker.
3. Repeat the above procedure for the 2 remaining favourite station markers.



## Headphone socket

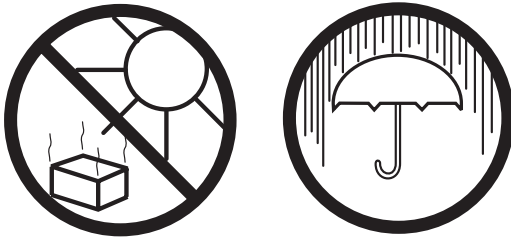
A 3.5mm **Headphone Socket** located on the left hand side of your radio is provided for use with either headphones or an earpiece. Inserting a plug automatically mutes the internal loudspeaker.

**IMPORTANT:** Excessive sound pressure from earphones and headphones can cause hearing loss.



## General

Do not allow this radio to be exposed to water, steam or sand. Do not leave your radio where excessive heat could cause damage such as in a parked car where the heat from the sun can build up even though the outside temperature may not seem too high. It is recommended that the FM band be used wherever possible as better results in terms of quality and freedom from interference will usually be obtained than on the MW or LW bands.




The name plate is located underneath your radio.

- Your radio should not be exposed to dripping or splashing and that no objects filled with liquids, such as vases, shall be placed on the radio.
- It is recommended to operate the product such that there is a minimum distance (10cm recommended) to adjacent objects in order to ensure good ventilation.
- The ventilation of the product should not be restricted by covering it or its ventilation openings with items such as newspapers, tablecloths, curtains etc.
- No naked flame sources such as lighted candles should be placed on the product.
- It is recommended to avoid using or storing the product at extremes of temperature. Avoid leaving the unit in cars, on window sills, in direct sunlight etc.

## Specifications

### Power Requirements

Mains	AC 230 volts, 50Hz  only
Batteries	4 x LR14 (C size)

### Battery Life

Up to 80 hours of listening for 4 hours a day at normal volume using alkaline cells.

### Frequency Coverage

FM	87.5 - 108MHz
MW	522 - 1620kHz
LW	144 - 281kHz

## Circuit Features

Loudspeaker	92mm
Headphone socket	3.5mm dia
Output Power	Battery powered - 640mW Mains powered - 1 Watt
Aerial System	FM Telescopic aerial MW Built-in Ferrite aerial LW Built-in Ferrite aerial

*The Company reserves the right to amend the specification without notice*

## Mains supply

The Classic 997 will operate from a supply of AC 230 volts, 50Hz  $\sim$  only.

**DO NOT cut off the mains plug from this equipment.** If the plug fitted is not suitable for the power points in your home or the cable is too short to reach a power point, then obtain an appropriate safety approved extension lead or adaptor. If in doubt consult your dealer.

If nonetheless the mains plug is cut off, remove the fuse and dispose of the plug immediately to avoid a possible shock hazard by inadvertent connection to the mains supply.

If this product is not supplied with a mains plug, or one has to be fitted, then follow the instructions given below:

**IMPORTANT. DO NOT** make any connection to the larger terminal which is marked with the letter E or by the safety earth symbol  $\perp$  or coloured Green or Green-and-Yellow.

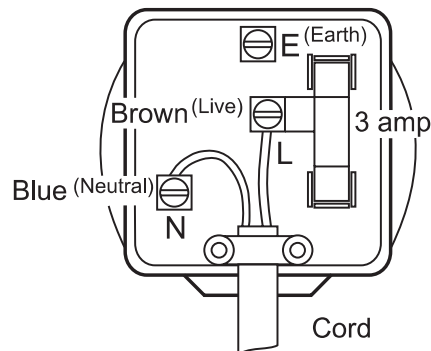
The wires in the mains lead are coloured in accordance with the following codes :-

BLUE - NEUTRAL

BROWN - LIVE

The wire coloured BLUE must be connected to the terminal marked N or coloured BLACK.

The wire coloured BROWN must be connected to the terminal marked L or coloured RED.



## Fuse

When replacing the fuse only a 3A ASTA approved to BS1362 type should be used and be sure to re-fit the fuse cover.

IF IN DOUBT - CONSULT A QUALIFIED ELECTRICIAN.

Replacement fuse holders are available from Roberts Radio Technical Services at the address shown on the rear of this manual.

## Notes

A series of 20 horizontal dotted lines for writing notes.

## Guarantee

This instrument is guaranteed for twelve months from the date of delivery to the original owner against failure due to faulty workmanship or component breakdown, subject to the procedure stated below. Should any component or part fail during this guarantee period it will be repaired or replaced free of charge.

The guarantee does not cover:

1. Damage resulting from incorrect use.
2. Consequential damage.
3. Receivers with removed or defaced serial numbers.

N.B. Damaged or broken telescopic aerials will not be replaced under guarantee.

Procedure:

Any claim under this guarantee should be made through the dealer from whom the instrument was purchased. It is likely that your Roberts' dealer will be able to attend to any defect quickly and efficiently but should it be necessary the dealer will return the instrument to the Company's service department for attention. In the event that it is not possible to return the instrument to the Roberts' dealer from whom it was purchased, please contact Roberts Radio Technical Services at the address shown overleaf.

*These statements do not affect the statutory rights of a consumer.*

## ROBERTS RADIO TECHNICAL SERVICES

97-99 Worton Road  
Isleworth  
Middlesex  
TW7 6EG

Technical Helpline :- 020 8758 0338 (Mon-Fri during office hours)

Web site: <http://www.robertsradio.co.uk>



Issue 1

© 2010 Roberts Radio Limited

